



Full Port Ball Valves with Schrader

TECHNICAL SPECIFICATIONS SUBMITTAL FORM

Job Name:	Submittal Date:	Wholesaler:
Job Location:	Engineer/Architect:	Contractor:

Product Use:

Full port ball valve with a Schrader service port for use in refrigeration, commercial HVAC, VRV, VRF, multi-mini split, and sub-critical applications.

Design and Features:

- Full port valves with 900 PSIG working pressure on sizes up to 7/8"
- Compatible with HCFC, HFC, HC, and HFO refrigerants and oils
- Twice sealing on the valve stem using PTFE seal technology
- Rupture-proof encapsulated stem and bi-directional flow
- Two-piece stem cap
- One piece brass oven-brazed body
- 100% leak tested
- Stamped with serial number and packaged in poly-bag
- Two-year warranty

NBV-S Pressure Ratings and Weight

PART #	DESCRIPTION	Kv, m3/h	Cv, gpm	MAXIMUM WORKING PRESSURE		WEIGHT	
				PSI	BAR	LB	KG
NBV02S	1/4" Ball Valve w/ Schrader	0.8	0.9	900	62	0.463	0.210
NBV03S	3/8" Ball Valve w/ Schrader	3	3.5	900	62	0.481	0.218
NBV04S	1/2" Ball Valve w/ Schrader	5	5.8	900	62	0.481	0.218
NBV05S	5/8" Ball Valve w/ Schrader	17	19.7	900	62	0.661	0.300
NBV06S	3/4" Ball Valve w/ Schrader	17	19.7	900	62	1.113	0.505
NBV07S	7/8" Ball Valve w/ Schrader	29	33.5	900	62	1.202	0.545
NBV09S	1-1/8" Ball Valve w/ Schrader	51	59	700	48	1.940	0.880
NBV11S	1-3/8" Ball Valve w/ Schrader	81	93.6	700	48	3.109	1.410
NBV13S	1-5/8" Ball Valve w/ Schrader	105	121.4	700	48	5.093	2.310
NBV17S	2-1/8" Ball Valve w/ Schrader	214	247.4	700	48	8.730	3.960
NBV21S	2-5/8" Ball Valve w/ Schrader	380	439.3	650	45	14.330	6.500
NBV25S	3-1/8" Ball Valve w/ Schrader	550	635.8	650	45	20.977	9.515
NBV33S	4-1/8" Ball Valve w/ Schrader	950	1098.2	450	31	36.597	16.600

Operating Specifications:

- Temperature: -40° to 302°F (-40°C to 150°C)
- Burst Pressure: 5 times the working pressure
- Leak Rate: <0.02g/year
- Life Expectancy: >50,000 cycles

Certifications and Approvals:

- UL/cUL 207
- RoHS compliant
- CRN-approved
- CE-approved



NBV-S Materials

PART	MATERIAL
STUBOUTS	Copper
SEALS & SEATS	Teflon (PTFE)
CAP	Brass
STEM	Stainless Steel
LOCK NUT	Brass, Stainless Steel
BODY	Brass
SCHRADER CAP	Brass
BALL	Stainless Steel



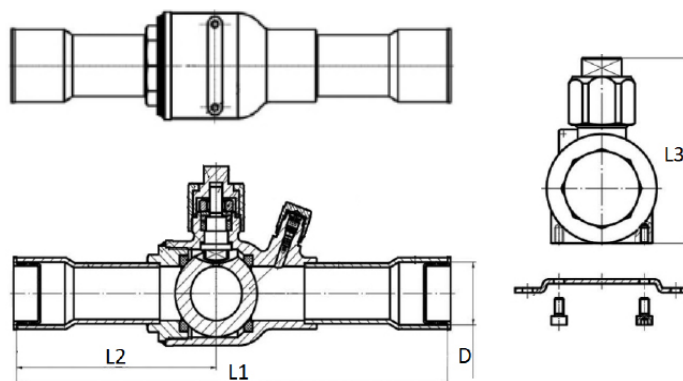
Full Port Ball Valves with Schrader

NBV-S Dimensions

MODEL	SIZE	D		L1		L2		L3	
		MM	IN	MM	IN	MM	IN	MM	IN
NBV02S	1/4"	0.25	6.40"	4.96	126.00"	2.09	53.00"	2.02	51.30"
NBV03S	3/8"	0.38	9.58"	4.96	126.00"	2.09	53.00"	2.02	51.30"
NBV04S	1/2"	0.50	12.75"	5.02	127.50"	2.13	54.00"	2.02	51.30"
NBV05S	5/8"	0.63	15.93"	5.91	150.00"	2.57	65.30"	2.30	58.40"
NBV06S	3/4"	0.75	19.10"	6.46	164.00"	2.91	74.00"	2.60	66.00"
NBV07S	7/8"	0.88	22.28"	7.46	189.50"	3.39	86.00"	2.60	66.00"
NBV09S	1-1/8"	1.13	28.65"	8.23	209.00"	3.82	97.00"	3.27	83.00"
NBV11S	1-3/8"	1.38	35.00"	9.00	228.60"	4.29	109.00"	3.88	98.50"
NBV13S	1-5/8"	1.63	41.35"	9.50	241.30"	4.53	115.00"	4.43	112.50"
NBV17S	2-1/8"	2.13	54.05"	10.50	266.70"	5.16	131.00"	5.18	131.60"
NBV21S	2-5/8"	2.63	66.75"	14.96	380.00"	7.24	184.00"	6.02	153.00"
NBV25S	3-1/8"	3.13	79.45"	16.14	410.00"	7.80	198.00"	6.83	173.40"
NBV33S	4-1/8"	4.13	104.85"	17.72	450.00"	8.70	221.00"	8.18	207.80"

Part Selection

NBV02S	1/4" Full Port Ball Valve w/ Schrader
NBV02SBOX	1/4" Full Port Ball Valve w/ Schrader Box Kit
NBV03S	3/8" Full Port Ball Valve w/ Schrader
NBV03SBOX	3/8" Full Port Ball Valve w/ Schrader Box Kit
NBV04S	1/2" Full Port Ball Valve w/ Schrader
NBV04SBOX	1/2" Full Port Ball Valve w/ Schrader Box Kit
NBV05S	5/8" Full Port Ball Valve w/ Schrader
NBV05SBOX	5/8" Full Port Ball Valve w/ Schrader Box Kit
NBV06S	3/4" Full Port Ball Valve w/ Schrader
NBV06SBOX	3/4" Full Port Ball Valve w/ Schrader Box Kit
NBV07S	7/8" Full Port Ball Valve w/ Schrader
NBV07SBOX	7/8" Full Port Ball Valve w/ Schrader Box Kit
NBV09S	1-1/8" Full Port Ball Valve w/ Schrader
NBV11S	1-3/8" Full Port Ball Valve w/ Schrader
NBV13S	1-5/8" Full Port Ball Valve w/ Schrader
NBV17S	2-1/8" Full Port Ball Valve w/ Schrader
NBV21S	2-5/8" Full Port Ball Valve w/ Schrader
NBV25S	3-1/8" Full Port Ball Valve w/ Schrader
NBV33S	4-1/8" Full Port Ball Valve w/ Schrader



The information contained herein is not intended to replace the full product installation and safety information available or the experience of a trained product installer. You are required to thoroughly read all installation instructions and product safety information before beginning the installation of a product.

All installations must completely comply with all NDL Industries warnings and instructions, national state and local codes and all applicable ANSI standards.

NDL Industries product specifications in U.S. customary units and metric are approximate and are provided for reference only. For precise measurements, please contact Customer.

Service. NDL Industries reserves the right to change or modify product design, construction, specifications, or materials without prior notice and without incurring any obligation to make such changes and modifications on NDL products previously or subsequently sold.



Explore our full line of high-quality HVAC-R, CO₂ Refrigeration, and Hydronic products.

ndlindustries.com | 1-866-635-6888 | sales@ndlinc.com

@ndlindustries

