



# Press Compatible Ball Valves

## TECHNICAL SPECIFICATIONS SUBMITTAL FORM

Job Name:	Submittal Date:	Wholesaler:
Job Location:	Engineer/Architect:	Contractor:

### Product Use:

Full port ball valve compatible with press-fit ends for use in refrigeration, commercial HVAC, VRV, VRF, multi-mini split, and sub-critical applications.

### Design Features:

- Full port valves with 900 PSIG working pressure on sizes up to 7/8"
- Compatible with HCFC, HFC, and HFO refrigerants and oils
- Twice sealing on the valve stem using PTFE seal technology
- Rupture-proof encapsulated stem and bi-directional flow
- Two-piece stem cap
- One piece brass oven-brazed body
- 100% leak tested
- Stamped with serial number and packaged in poly-bag
- Two-year warranty

### NBV-SZ Pressure Ratings and Weights

PART #	DESCRIPTION	MAXIMUM WORKING PRESSURE		WEIGHT	
		PSI	BAR	LB	KG
NBV02SZ	1/4" Press Compatible Ball Valve with Schrader	900	62	0.463	0.210
NBV03SZ	3/8" Press Compatible Ball Valve with Schrader	900	62	0.474	0.215
NBV04SZ	1/2" Press Compatible Ball Valve with Schrader	900	62	0.496	0.225
NBV05SZ	5/8" Press Compatible Ball Valve with Schrader	900	62	0.710	0.320
NBV06SZ	3/4" Press Compatible Ball Valve with Schrader	900	62	0.990	0.450
NBV07SZ	7/8" Press Compatible Ball Valve with Schrader	900	62	1.100	0.500
NBV09SZ	1-1/8" Press Compatible Ball Valve with Schrader	700	48	1.900	0.860

### Operating Specifications:

- Temperature: -40° to 302°F (-40°C to 150°C)
- Burst Pressure: 5 times the working pressure
- Leak Rate: <0.02g/year
- Life Expectancy: >50,000 cycles

### Certifications and Approvals:

- UL/cUL 207
- RoHS compliant
- CRN-approved
- CE-approved



### NBV-SZ Materials

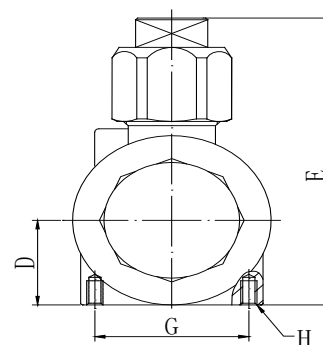
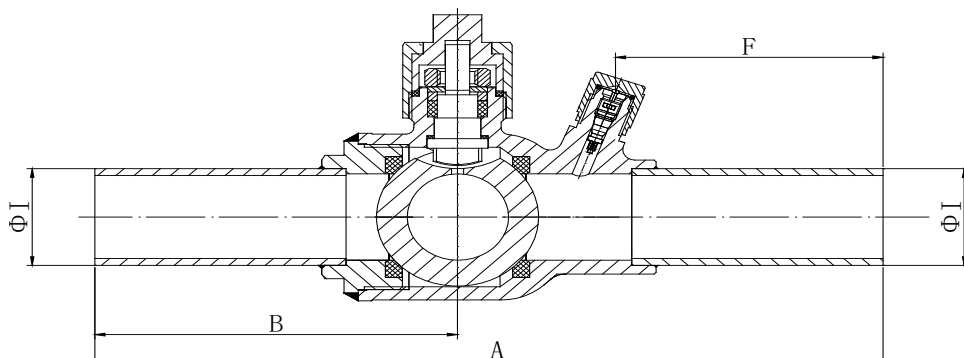
PART	MATERIAL
STUBOUTS	Copper
SEALS AND SEATS	Teflon (PTFE)
CAP	Brass
STEM	Stainless Steel
LOCK NUT	Brass, Stainless Steel
BODY	Brass
SCHRADER CAP	Brass
BALL	Stainless Steel



# Press Compatible Ball Valves

## NBV-SZ Dimensions

Model	ODS	A		B		D		E		F		G		I	
	IN	MM	IN	MM	IN	MM	IN	MM	IN	MM	IN	MM	IN	MM	IN
NBV02SZ	1/4"	171.50	6.75"	75.80	2.98"	14.00	0.55"	44.00	2.02"	63.20	2.49"	16.00	0.63"	6.35	0.25"
NBV03SZ	3/8"	161.00	6.34"	71.00	2.80"	14.00	0.55"	44.00	2.02"	58.00	2.28"	16.00	0.63"	9.52	0.37"
NBV04SZ	1/2"	166.50	6.56"	73.00	2.89"	14.00	0.55"	44.00	2.02"	60.70	2.39"	16.00	0.63"	12.70	0.50"
NBV05SZ	5/8"	172.00	6.77"	52.00	2.05"	15.00	0.59"	50.00	2.30"	59.80	2.35"	22.00	0.87"	15.90	0.63"
NBV06SZ	3/4"	177.50	6.99"	80.00	3.15"	19.00	0.75"	58.00	2.60"	61.00	2.40"	30.00	1.18"	19.10	0.75"
NBV07SZ	7/8"	184.00	7.24"	83.00	3.27"	19.00	0.75"	58.00	2.60"	64.30	2.53"	30.00	1.18"	22.30	0.88"
NBV09SZ	1-1/8"	207.20	8.16"	89.50	3.52"	24.50	0.96"	66.00	3.27"	66.00	2.60"	38.00	1.50"	28.60	1.13"



## Part Selection

NBV02SZ	1/4" Press Compatible Ball Valve with Schrader
NBV02SZBOX	1/4" Press Compatible Ball Valve with Schrader Box Kit
NBV03SZ	3/8" Press Compatible Ball Valve with Schrader
NBV03SZBOX	3/8" Press Compatible Ball Valve with Schrader Box Kit
NBV04SZ	1/2" Press Compatible Ball Valve with Schrader
NBV04SZBOX	1/2" Press Compatible Ball Valve with Schrader Box Kit
NBV05SZ	5/8" Press Compatible Ball Valve with Schrader
NBV05SZBOX	5/8" Press Compatible Ball Valve with Schrader Box Kit
NBV06SZ	3/4" Press Compatible Ball Valve with Schrader
NBV06SZBOX	3/4" Press Compatible Ball Valve with Schrader Box Kit
NBV07SZ	7/8" Press Compatible Ball Valve with Schrader
NBV07SZBOX	7/8" Press Compatible Ball Valve with Schrader Box Kit
NBV09SZ	1-1/8" Press Compatible Ball Valve with Schrader
NBV09SZBOX	1-1/8" Press Compatible Ball Valve with Schrader Box Kit

The information contained herein is not intended to replace the full product installation and safety information available or the experience of a trained product installer. You are required to thoroughly read all installation instructions and product safety information before beginning the installation of a product.

All installations must completely comply with all NDL Industries warnings and instructions, national state and local codes and all applicable ANSI standards.

NDL Industries product specifications in U.S. customary units and metric are approximate and are provided for reference only. For precise measurements, please contact Customer

Service. NDL Industries reserves the right to change or modify product design, construction, specifications, or materials without prior notice and without incurring any obligation to make such changes and modifications on NDL products previously or subsequently sold.



Explore our full line of high-quality  
HVAC-R, CO<sub>2</sub> Refrigeration, and Hydronic products.

ndlindustries.com | 1-866-635-6888 | sales@ndlinc.com

@ndlindustries

