



Mini Split Ball Valves with Female Schrader

TECHNICAL SPECIFICATIONS SUBMITTAL FORM

Job Name:	Submittal Date:	Wholesaler:
Job Location:	Engineer/Architect:	Contractor:

Product Use:

Full port ball valve with a Schrader service port for use in refrigeration, commercial HVAC, VRV, VRF, multi-mini split, and sub-critical applications.

Design and Features:

- Female Side Schrader (NBV-MSFFS)
- Full port valves with 900 PSIG working pressure on sizes up to 5/8"
- Compatible with HCFC, HFC, HC, and HFO refrigerants and oils
- Twice sealing on the valve stem using PTFE seal technology
- Rupture-proof encapsulated stem and bi-directional flow
- Two-piece stem cap
- One piece brass oven-brazed body
- 100% leak tested
- Stamped with serial number and packaged in poly-bag
- Two-year warranty

NBV-MSFFS Pressure Ratings and Weight

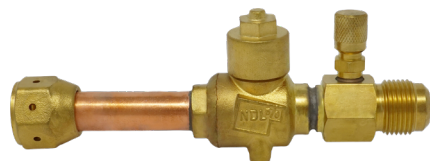
PART #	DESCRIPTION	MAXIMUM WORKING PRESSURE		WEIGHT	
		PSI	BAR	LB	KG
NBV12MSFFS	1/2" Mini Split Ball Valve with Female Side Schrader	900	62	0.507	0.230
NBV14MSFFS	1/4" Mini Split Ball Valve with Female Side Schrader	900	62	0.595	0.270
NBV38MSFFS	3/8" Mini Split Ball Valve with Female Side Schrader	900	62	0.628	0.285
NBV58MSFFS	5/8" Mini Split Ball Valve with Female Side Schrader	900	62	0.948	0.430

Operating Specifications:

- Temperature: -40° to 302°F (-40°C to 150°C)
- Burst Pressure: 5 times the working pressure
- Leak Rate: <0.02g/year
- Life Expectancy: >50,000 cycles

Certifications and Approvals:

- UL/cUL 207
- RoHS compliant
- CRN-approved



NBV-MSFFS Materials

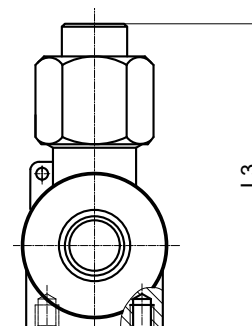
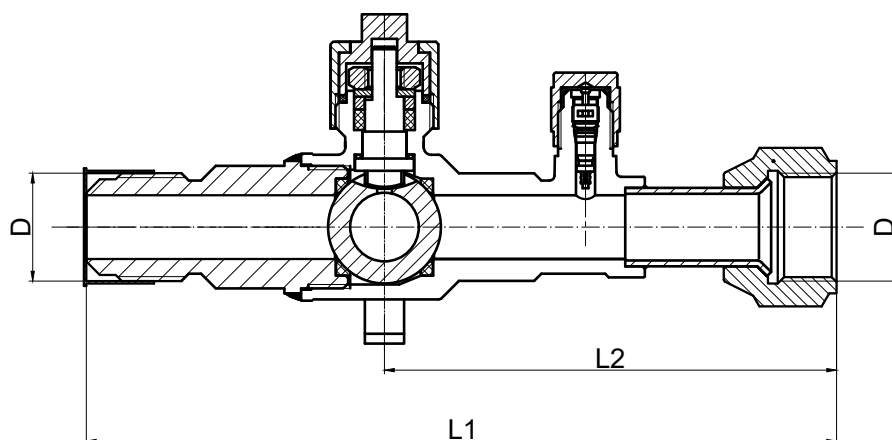
PART	MATERIAL
STUBOUTS	Copper
SEALS & SEATS	Teflon (PTFE)
CAP	Brass
STEM	Stainless Steel
LOCK NUT	Brass, Stainless Steel
BODY	Brass
SCHRADER CAP	Brass
BALL	Stainless Steel



Mini Split Ball Valves with Female Schrader

NBV-MS Dimensions

MODEL	SIZE	MAXIMUM WORKING PRESSURE		D	L1		L2		L3		WEIGHT	
		PSI	BAR		MM	IN	MM	IN	MM	IN	LB	KG
NBV14MSFFS	1/4"	900	62	7/16-20UNF	125.00	4.92"	80.00	3.15"	51.30	2.02"	0.507	0.230
NBV38MSFFS	3/8"	900	62	5/8-18UNF	122.00	4.80"	71.00	2.80"	51.30	2.02"	0.595	0.270
NBV12MSFFS	1/2"	900	62	3/4-16UNF	153.00	6.02"	102.00	4.02"	51.30	2.02"	0.628	0.285
NBV58MSFFS	5/8"	900	62	7/8-14UNF	153.00	6.02"	92.20	3.63"	58.40	2.30"	0.948	0.430



Part Selection

NBV14MSFFS	1/4" Mini-Split Ball Valve with Female Schrader
NBV14MSFFSBOX	1/4" Mini-Split Ball Valve with Female Schrader Box Kit
NBV38MSFFS	3/8" Mini-Split Ball Valve with Female Schrader
NBV38MSFFSBOX	3/8" Mini-Split Ball Valve with Female Schrader Box Kit
NBV12MSFFS	1/2" Mini-Split Ball Valve with Female Schrader
NBV12MSFFSBOX	1/2" Mini-Split Ball Valve with Female Schrader Box Kit
NBV58MSFFS	5/8" Mini-Split Ball Valve with Female Schrader
NBV58MSFFSBOX	5/8" Mini-Split Ball Valve with Female Schrader Box Kit

The information contained herein is not intended to replace the full product installation and safety information available or the experience of a trained product installer. You are required to thoroughly read all installation instructions and product safety information before beginning the installation of a product.

All installations must completely comply with all NDL Industries warnings and instructions, national state and local codes and all applicable ANSI standards.

NDL Industries product specifications in U.S. customary units and metric are approximate and are provided for reference only. For precise measurements, please contact Customer

Service. NDL Industries reserves the right to change or modify product design, construction, specifications, or materials without prior notice and without incurring any obligation to make such changes and modifications on NDL products previously or subsequently sold.



Explore our full line of high-quality HVAC-R, CO₂ Refrigeration, and Hydronic products.

ndlindustries.com | 1-866-635-6888 | sales@ndlinc.com

@ndlindustries

