



NDL Industries

APPLICATIONS

Refrigeration, Commercial HVAC-R, VRV, VRF, Multi-mini Split, and Sub-critical Applications.

Refrigeration Ball Valve Insulation (NBV-IN)

Innovative HVAC-R product with high-quality performance, enhancing your experience using NDL valves in the field.



NBV-IN Specifications

The NBV-IN Insulation is an EPDM-based, closed-cell, lightweight elastomeric thermal insulation specifically designed for solar and steam heating applications with service temperatures up to +150C (302F).

Due to the design, it has tough skin for easy installation. It is self-extinguished and does not melt when burnt.

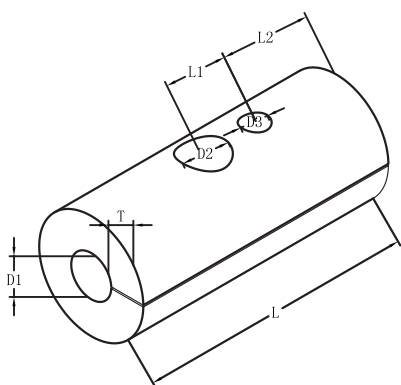
When used outdoors, the NBV-IN Insulation has excellent ozone, UV, and weather resistance properties but may need additional protective coating or jacketing for long-term direct contact with sunlight.



Refrigeration Ball Valve Insulation

Technical Data

PROPERTIES		NDL-IN						TEST METHOD
Cell Structure		Closed Cell						
Density lbs/ft3 (Kg/m)		2.5-5.0 (40-80)						ASTM D1667
Thermal Conductivity BTU.In/Ft2 hr oF (W/m.K)	Mean Temp	68oF (20oC)	104oF (40oC)	140oF (60oC)	176oF (80oC)	212oF (100oC)	303oF (150oC)	ASTM C 177 EN ISO 8497
	K-Value	0.250 (0.360)	0.263 (0.038)	0.277 (0.040)	0.284 (0.041)	0.306 (0.044)	0.395 (0.057)	
Service Temperature		Up to +150 oC Up to +302oF						ASTM C 411
Water Absorbtion		< 10% (by weight) < 0.20% (by volume)						ASTM D 1056 ASTM C209
Ozone Resistance		No Crack						ASTM E 1149 ASTM D 1171
UV Weather Resistance		Very Good						ASTM G 154
Flammability		Self-Extinguishing Class V-0						ASTM D 635 UL 94
RoHS		Not Detected						EN Restriction of the Use of Hazardous Substances Directive (RoHS) 2002/95/EC
Material		EPDM						
Working Temperature		-57°C to 125°C (-71°F to 257°F)						
UV Resistant Flame/Smoke Rating		15/50						
Color and Wall Thickness		Black, 3/4"						



Product Information

PART #	D1 (IN)	D2 (IN)	D3 (MM)	L (MM)	L1 (MM)	L2 (MM)	G
NBVINS	0.984"	0.591"	1.024"	6.024"	1.260"	2.756"	29
NBVINL	1.654"	0.591"	1.024"	8.268"	1.260"	3.386"	35
NBVINMS	1.654"	0.591"	1.024"	6.693"	1.260"	3.386"	32

NBVINS: Compatible with 1/4 to 5/8 Ball Valves with Schrader

NBVINL: Compatible with 3/4 to 1-1/8 Ball Valves with Schrader

NBVINMS: Compatible with all of NBV-MS and NBV-MSFFS series



Explore our full line of high-quality
HVAC-R, CO₂ Refrigeration, and Hydronic products.

ndlindustries.com | 1-866-635-6888 | sales@ndlinc.com

@ndlindustries

